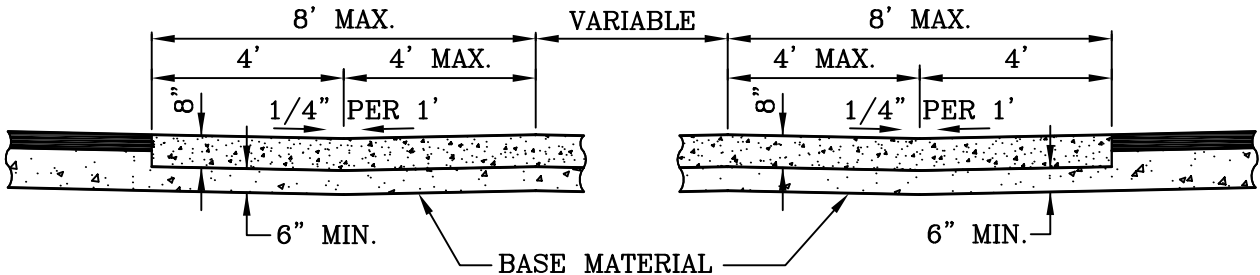
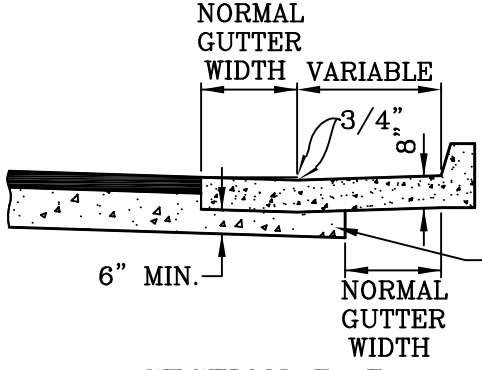


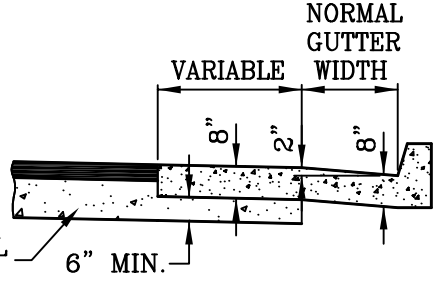
NOTE: SEE STD. PLAN 319 FOR JOINT DETAILS



SECTION A-A



SECTION B-B



SECTION C-C

- NOTES:
1. CURBS AND SPANDRELS ARE MONOLITHIC.
  2. FOR ACCESS RAMP DEPRESSIONS SEE STD. PLAN 322.
  3. CROSS GUTTER SHALL BE PORTLAND CEMENT CONCRETE TYPE V.

CITY OF MISSION VIEJO

SPECIAL CROSS GUTTER  
(STEEP GRADES)

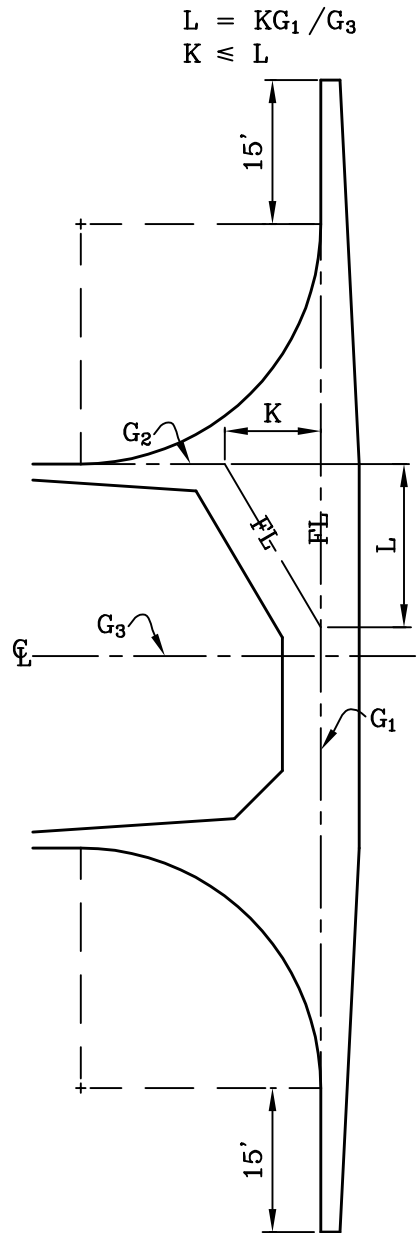
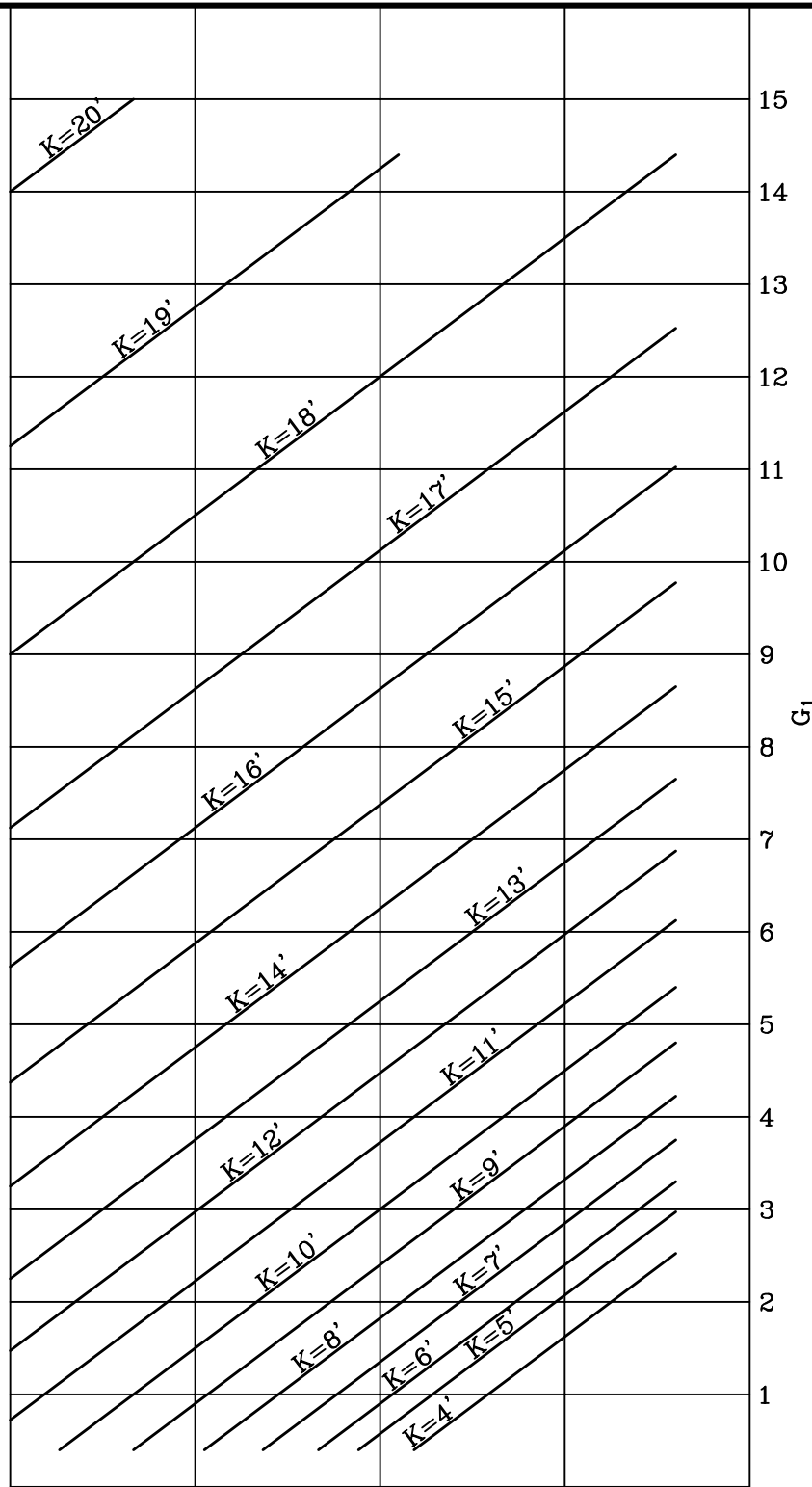
STANDARD  
PLAN NO.

320



*Robert Anderson* 9-23-03  
APPROVED RCE 30190 DATE

SHT 1 OF 2



TO BE USED WITH SHEET 1

CITY OF MISSION VIEJO



SPECIAL CROSS GUTTER  
(STEEP GRADES)

STANDARD  
PLAN NO.

320

*Robert Anderson*

9-23-03

APPROVED

RCE 30190

DATE

SHT 2 OF 2