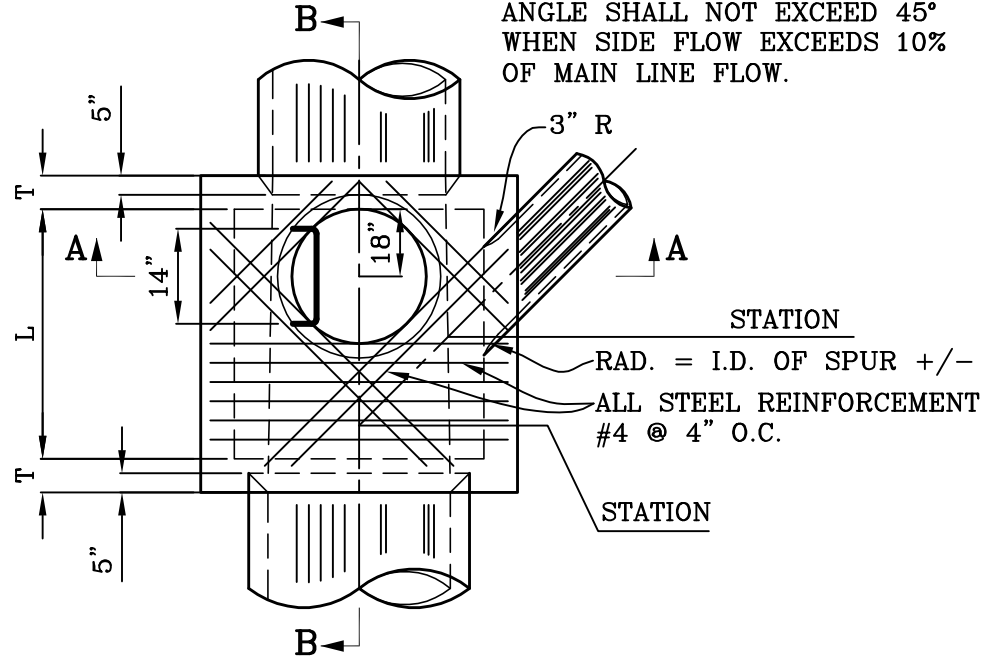
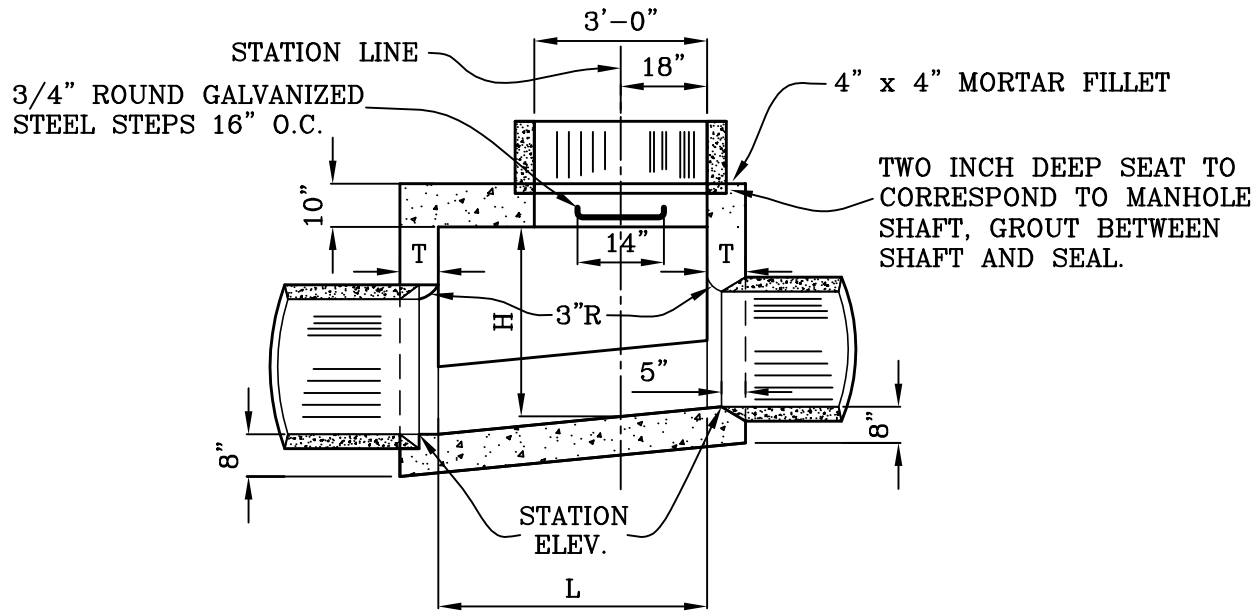


ANGLE SHALL NOT EXCEED 45°  
WHEN SIDE FLOW EXCEEDS 10%  
OF MAIN LINE FLOW.



PLAN  
(SHAFT NOT SHOWN)



SECTION B-B  
(SEE NOTES ON SHEET 4)

CITY OF MISSION VIEJO

JUNCTION STRUCTURE  
TYPE I

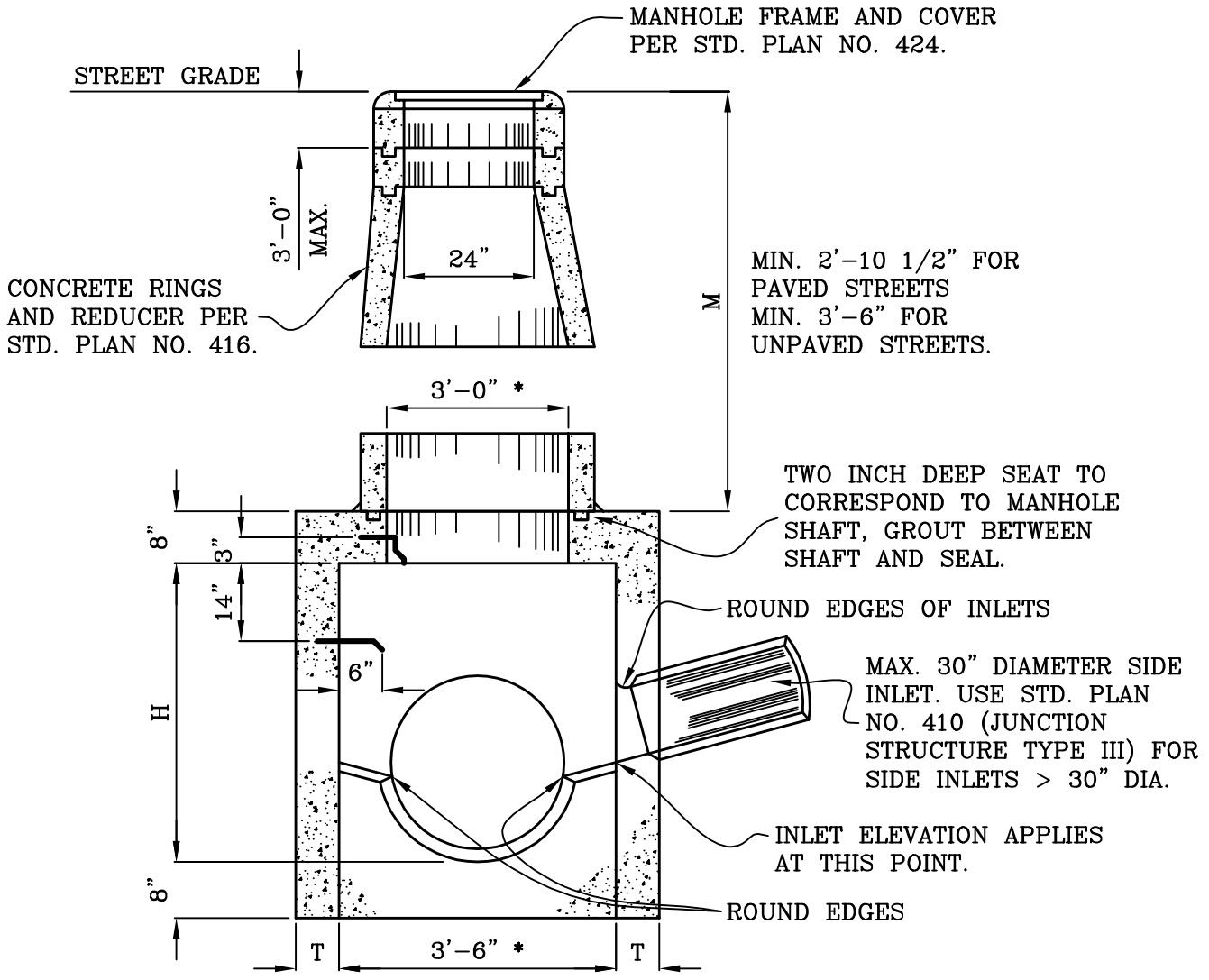
STANDARD  
PLAN NO.

408



*Robert Anderson* 9-23-03  
APPROVED RCE 30190 DATE

SHT 1 OF 4



SECTION A-A

\*MANHOLE SHAFT SHALL BE 4'-0" AND JUNCTION STRUCTURE BOTTOM WIDTH SHALL BE INCREASED TO 4'-0" MINIMUM WHEN M>15'. USE STD. PLAN NO. 419 WITH 6" RINGS WHEN M>15'.

(SEE NOTES ON SHEET 4)

CITY OF MISSION VIEJO

JUNCTION STRUCTURE  
TYPE I

STANDARD  
PLAN NO.

408



*Robert Anderson*

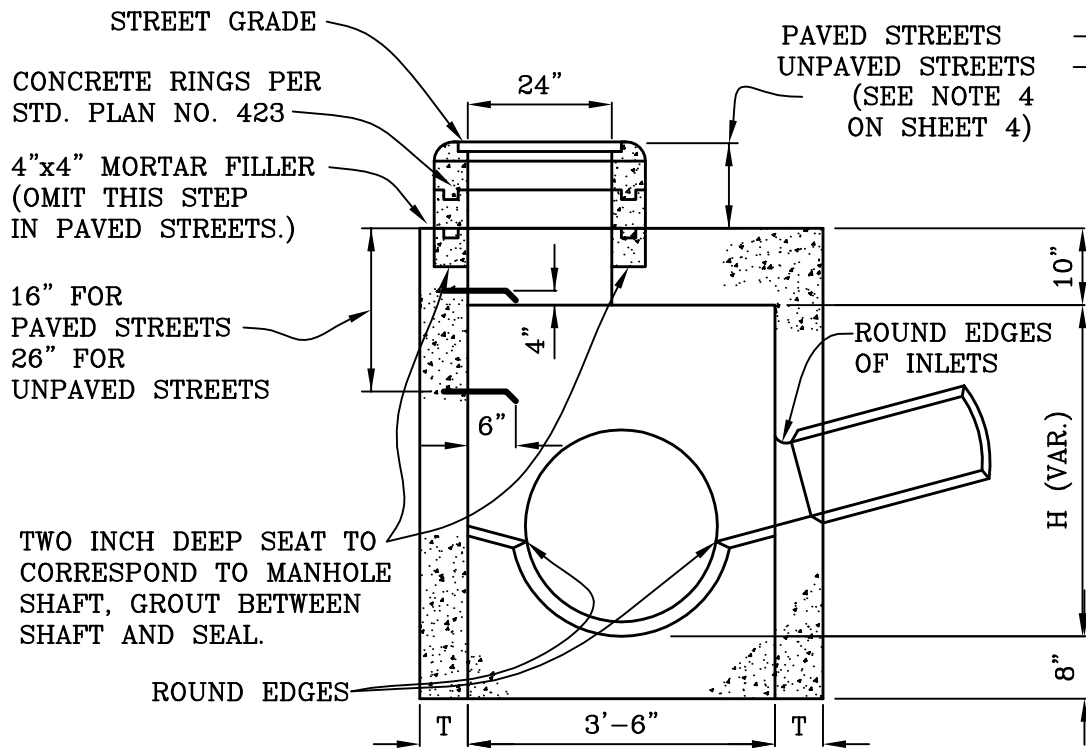
9-23-03

APPROVED

RCE 30190

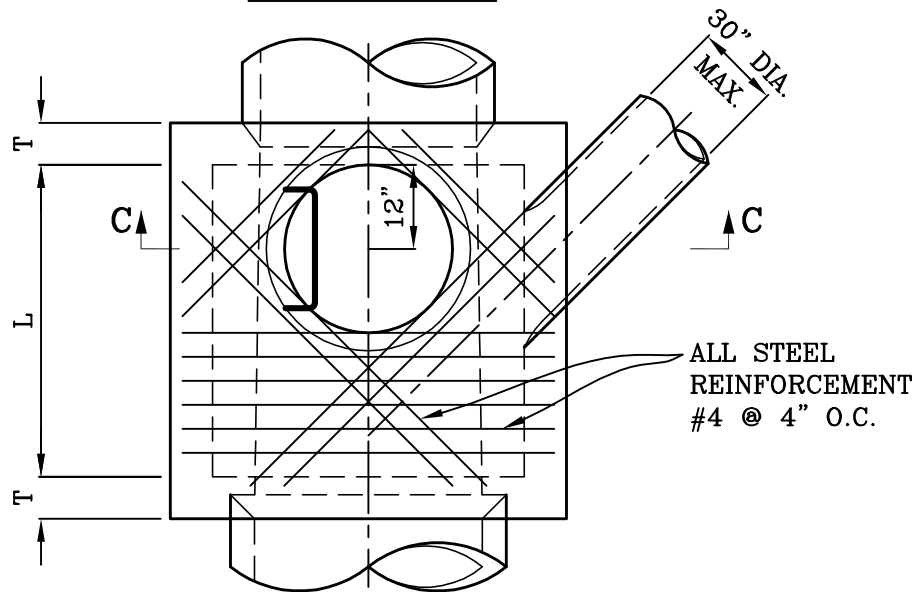
DATE

SHT 2 OF 4



PAVED STREETS	-	MAX. 11"	MIN. 8 1/2"
UNPAVED STREETS	-	16"	15"

(SEE NOTE 4 ON SHEET 4)



**DETAIL N**  
SHAFT NOT SHOWN  
(SEE NOTE 3 ON SHEET 4)

**CITY OF MISSION VIEJO**

**JUNCTION STRUCTURE  
TYPE I**

STANDARD  
PLAN NO.

**408**



*Robert Anderson*      9-23-03  
APPROVED      RCE 30190      DATE

NOTES:

1. HEIGHT H IN SEC. A-A AND SEC. B-B SHALL NOT BE LESS THAN 4'-0", BUT MAY BE INCREASED AT THE OPTION OF THE ENGINEER. PROVIDED THAT THE VALUE OF M SHALL NOT BE LESS THAN THE MINIMUM SPECIFIED AND THAT THE REDUCER SHALL BE USED FOR H IN SEC. C-C (SEE NOTE 4).
2. LENGTH L SHALL BE 4'-0" FOR INLETS OF 20" OR LESS AND 5'-0" FOR INLETS GREATER THAN 20" UNLESS OTHERWISE SHOWN ON THE IMPROVEMENT PLAN. MAY BE INCREASED A MAXIMUM OF (1) FOOT AT EACH END TO MEET PIPE ENDS. CONTINUE #4 AT 4" O.C.
3. SHAFT SHALL BE CONSTRUCTED AS PER SEC. C-C AND DETAIL N WHEN DEPTH M FROM STREET GRADE TO TOP OF BOX IS LESS THAN 2'-10 1/2" FOR PAVED STREETS OR 3'-6" FOR UNPAVED STREETS.
4. DEPTH M MAY BE REDUCED TO AN ABSOLUTE LIMIT OF 6" WHEN LARGER VALUES OF M WOULD REDUCE H IN SEC. C-C TO 3'-6" OR LESS.
5. T SHALL BE 8" FOR VALUES OF H UP TO AND INCLUDING 8'. T SHALL BE 10" FOR VALUES OF H OVER 8'.
6. STEPS SHALL BE 3/4" ROUND GALVANIZED STEEL AND ANCHORED NOT LESS THAN 5" IN THE WALLS OF THE STRUCTURE AND SHALL PROJECT A MIN. OF 6" FROM POINT OF EMBEDMENT. UNLESS OTHERWISE SHOWN, STEPS SHALL BE PLACED 16" O.C. THE LOWEST STEP SHALL NOT BE MORE THAN 24" ABOVE THE LEDGE AT THE SIDE OF MANHOLE FLOOR.
7. REINFORCING STEEL SHALL BE #4 BARS, DEFORMED, STRAIGHT BARS 1 1/2" CLEAR FROM FACE OF CONCRETE.
8. STATIONS OF MANHOLES SHOWN ON IMPROVEMENT PLAN APPLY AT CENTERLINE OF SHAFT.
9. FLOOR OF MANHOLE SHALL BE STEEL-TROWELED.
10. RINGS, REDUCER, AND PIPE FOR ACCESS SHAFT SHALL BE SEATED IN 1:2 MORTAR AND NEATLY POINTED OR WIPED INSIDE SHAFT.
11. LEDGE SHALL BE SLOPED AT 2" PER FOOT.
12. USE JUNCTION STRUCTURE TYPE I FOR OUTLET PIPE DIAMETERS OF 42" OR LESS AND INLET DIAMETERS OF 30" OR LESS.

CITY OF MISSION VIEJO



JUNCTION STRUCTURE  
TYPE I

STANDARD  
PLAN NO.

408

*Robert Anderson*

9-23-03

APPROVED

RCE 30190

DATE

SHT 4 OF 4