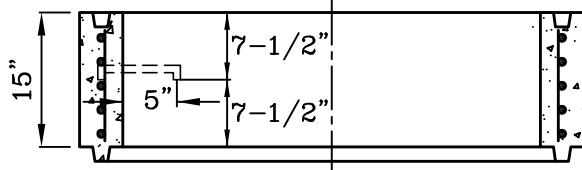


48" x 30" MANHOLE PIPE



48" x 30" MANHOLE PIPE

TYPICAL SECTION 48" I.D. ECCENTRIC CONE MANHOLE

* PAVEMENT SHALL BE FINISHED MINIMUM 1/8" ABOVE MANHOLE FRAME.

SEE SHEET 2 OF 2 OF STD. PLAN 426 FOR NOTES.

CITY OF MISSION VIEJO

48" REINFORCED CONCRETE MANHOLE

STANDARD PLAN NO.

419



Robert Anderson

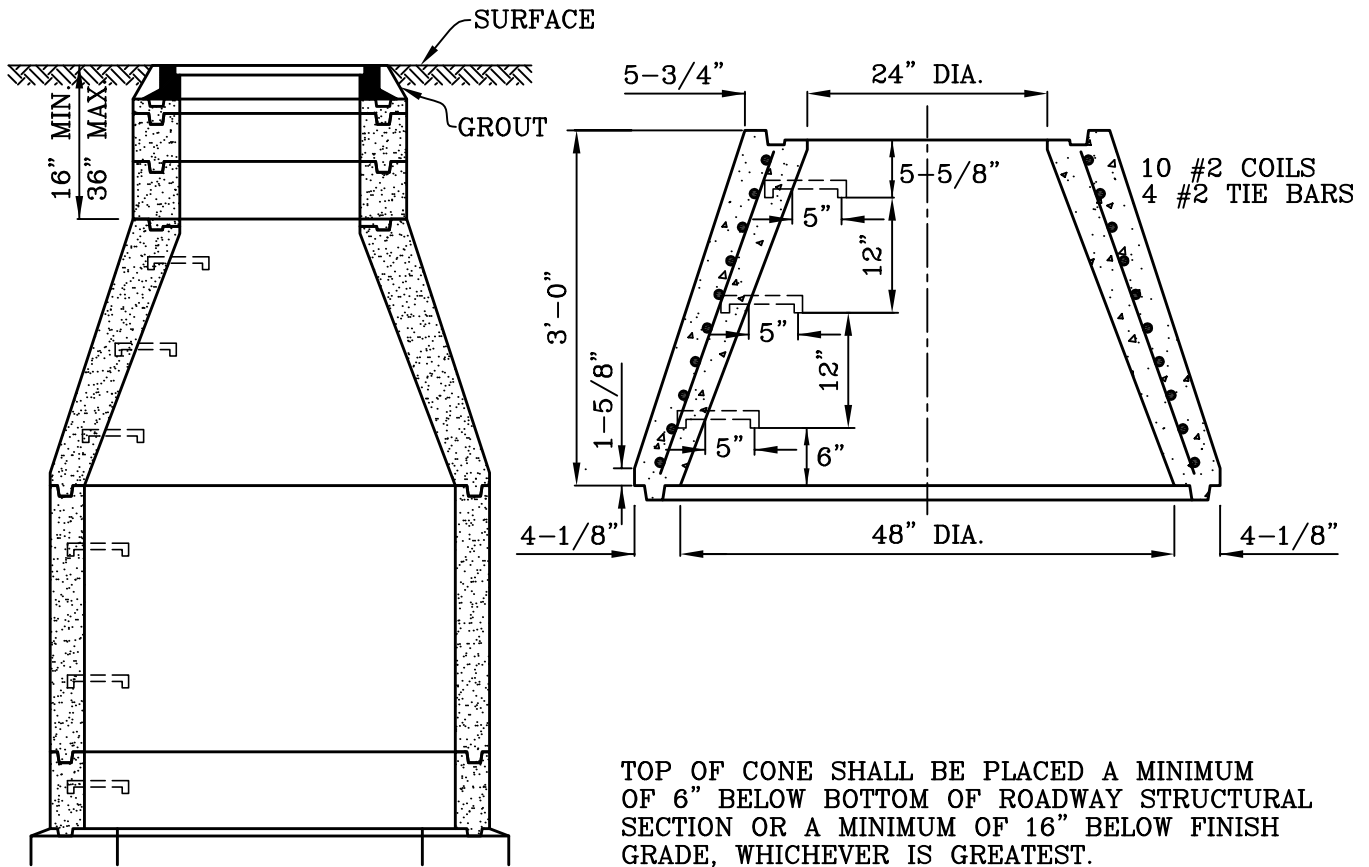
9-23-03

APPROVED

RCE 30190

DATE

SHT 1 OF 2



SEE SHEET 2 OF 2 OF STD. PLAN 426 FOR NOTES.

CITY OF MISSION VIEJO

48" REINFORCED CONCRETE
MANHOLE

STANDARD
PLAN NO.

419



Robert Anderson

9-23-03

APPROVED

RCE 30190

DATE

SHT 2 OF 2