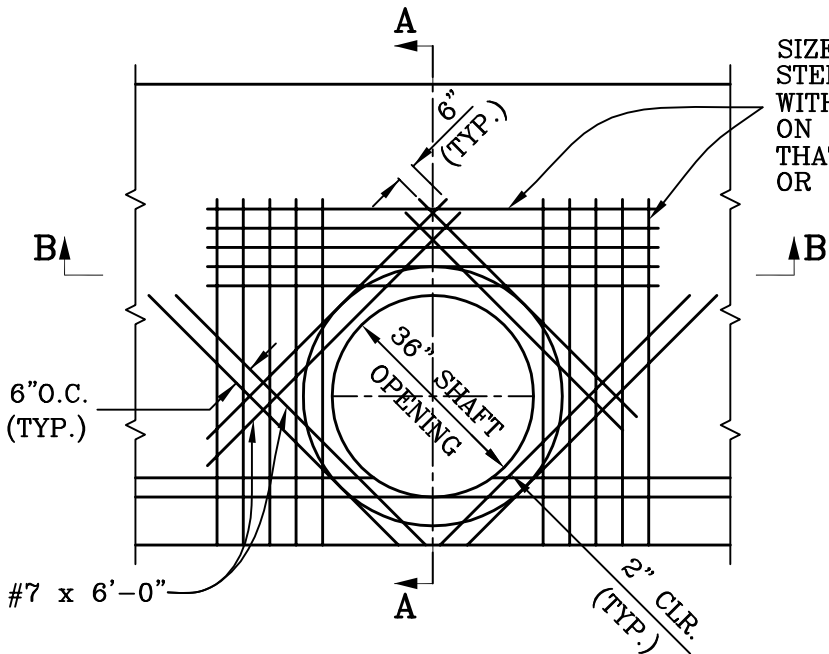
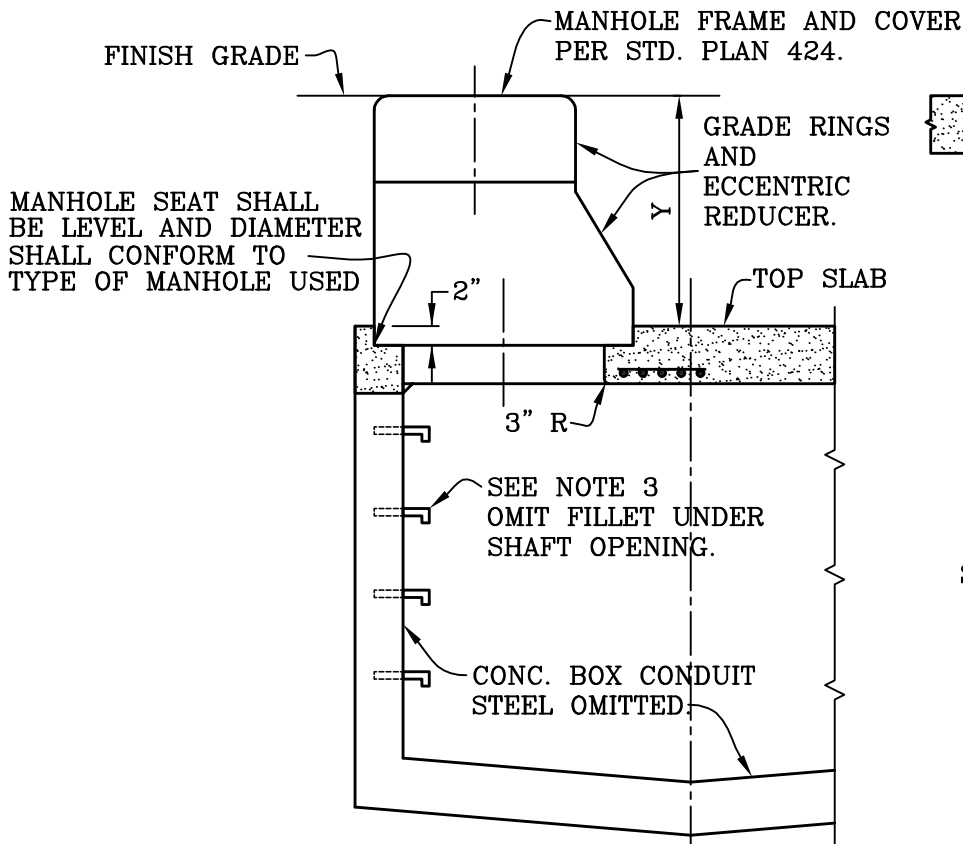


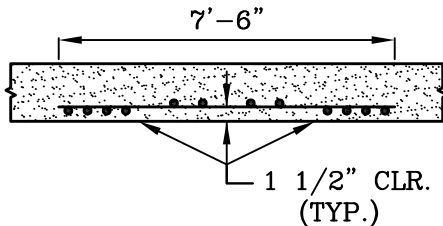
SIZE AND SPACING OF REINFORCING STEEL SHALL BE AS SHOWN ON PLANS WITH THE ADDITION OF FOUR (4) BARS ON EACH SIDE OF MANHOLE SHAFT THAT SHALL BE #7 MINIMUM 6" O.C. OR EQUIVALENT.



PLAN



SECTION A-A



SECTION B-B
(TOP SLAB ONLY)

SEE SHEET 2 FOR NOTES

CITY OF MISSION VIEJO

R.C. BOX MANHOLE

STANDARD
PLAN NO.

421



Robert Anderson

9-23-03

APPROVED

RCE 30190

DATE

SHT 1 OF 2

NOTES:

1. MANHOLE SHAFT CENTERLINES ARE SHOWN ON PLANS.
2. ALL REINFORCING STEEL SHALL BE PLACED IN BOTTOM FACE ONLY.
3. SEE STD. PLANS 416, 417, AND 422 FOR STEP PLACEMENT AND EMBEDMENT DETAILS.
4. STEEL REINFORCEMENT SHALL BE ONE AND ONE-HALF (1-1/2") INCH CLEAR. UNLESS OTHERWISE NOTED.
5. WHEN DEPTH Y FROM STREET GRADE TO TOP OF MANHOLE SEAT IS LESS THAN 2' 10-1/2" IN PAVED STREETS OR 3'-6" IN UNPAVED STREETS, CONSTRUCT 2' DIAMETER SHAFT USING CONCRETE RINGS AS PER STD. PLAN 417, OTHERWISE CONSTRUCT 3' DIAMETER SHAFT AS SHOWN ON THIS PLAN.

CITY OF MISSION VIEJO



R.C. BOX MANHOLE

STANDARD
PLAN NO.

421

Robert Anderson 9-23-03
APPROVED RCE 30190 DATE

SHT 2 OF 2