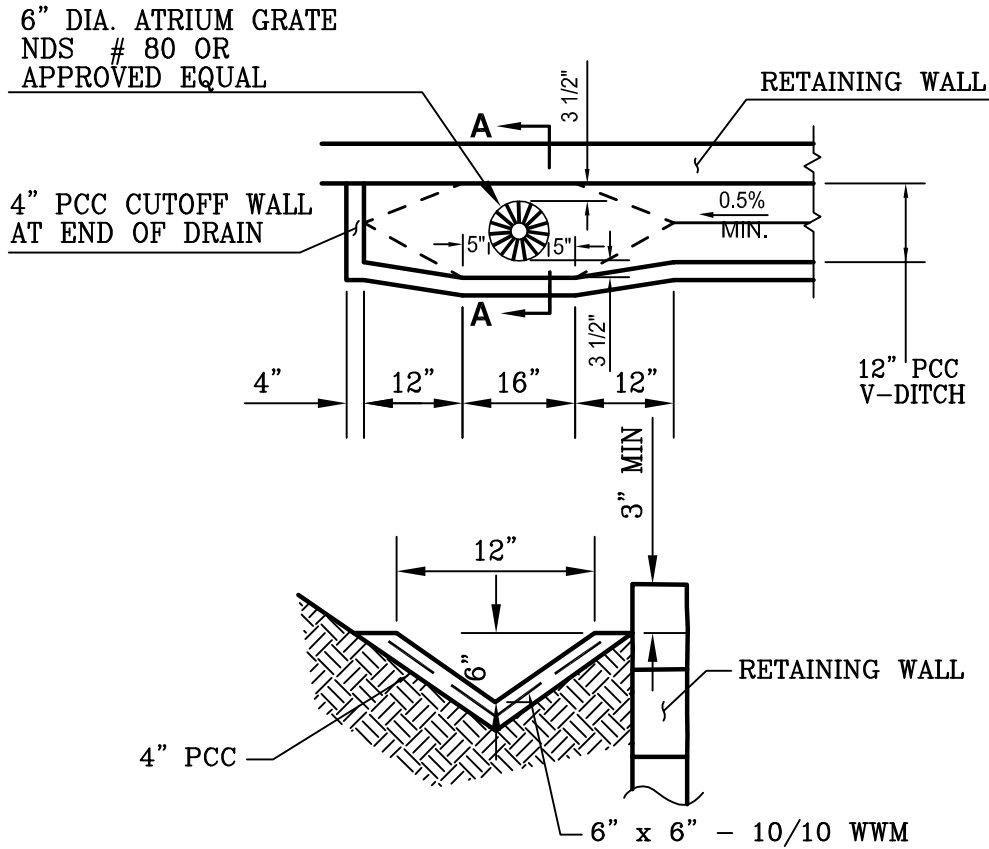


**SECTION A-A**

N.T.S.



**CITY OF MISSION VIEJO**

**RETAINING WALL V-DITCH**



*Rich Schlemmer*

08/01/05

APPROVED BY: CITY ENGINEER RCE 51160

DATE

431

SHT 1 OF 1