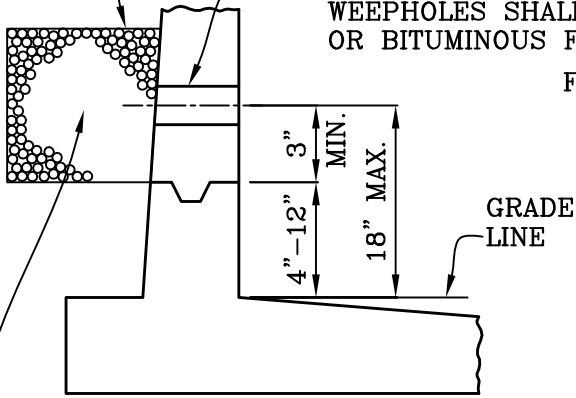


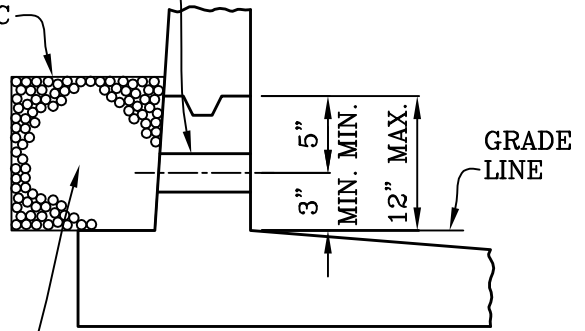
3" DIA. WEEPHOLE AT 10' O.C.
 PLACE 12"x12" (NO.4 SCREEN, 23 GA.)
 GALV. WIRE MESH CENTERED ON
 EACH WEEPHOLE. PIPES FOR
 WEEPHOLES SHALL BE V.C.P., P.V.C.,
 OR BITUMINOUS FIBER PIPE.

FILTER
 FABRIC



ALTERNATE A

FILTER FABRIC

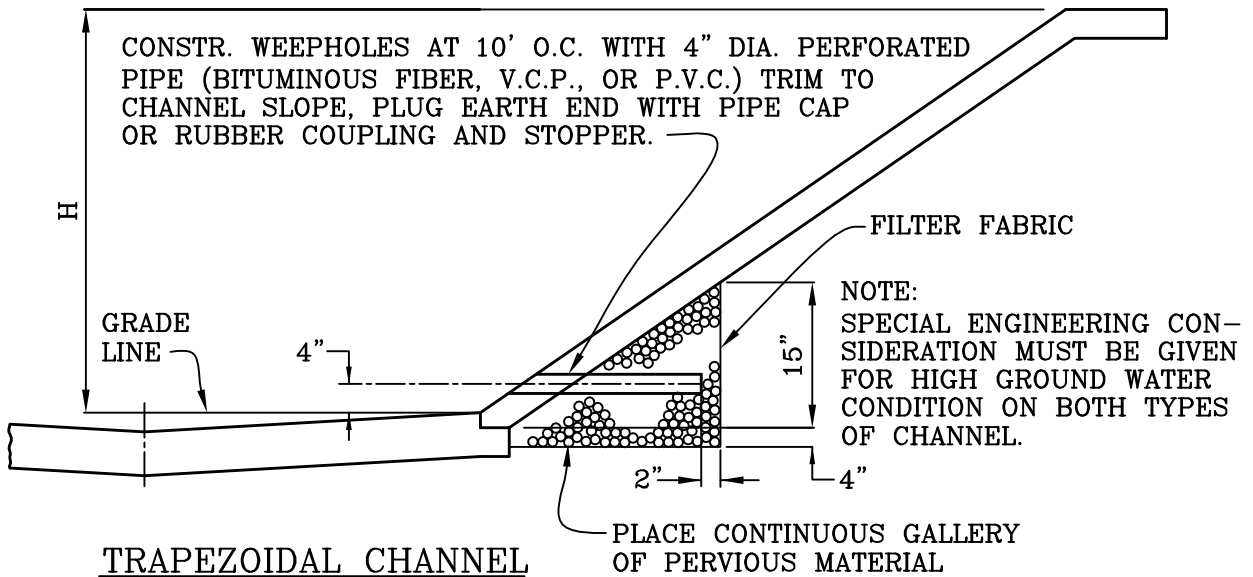


ALTERNATE B

12"x12"x12" PERVIOUS MATERIAL, WRAPPED
 WITH FILTER FABRIC, CENTERED ON WEEPHOLE

VERTICAL WALL CHANNEL

CONSTR. WEEPHOLES AT 10' O.C. WITH 4" DIA. PERFORATED
 PIPE (BITUMINOUS FIBER, V.C.P., OR P.V.C.) TRIM TO
 CHANNEL SLOPE, PLUG EARTH END WITH PIPE CAP
 OR RUBBER COUPLING AND STOPPER.



TRAPEZOIDAL CHANNEL

PLACE CONTINUOUS GALLERY
 OF PERVIOUS MATERIAL

CITY OF MISSION VIEJO

CHANNEL WEEPHOLES

STANDARD
 PLAN NO.

432



Robert Anderson

9-23-03

APPROVED

RCE 30190

DATE

SHT 1 OF 1