

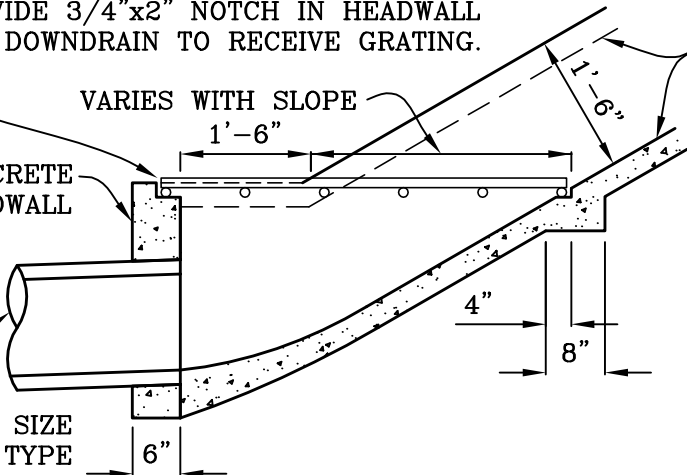
PROVIDE 3/4"x2" NOTCH IN HEADWALL AND DOWNDRAIN TO RECEIVE GRATING.

DOWNDRAIN (SEE STD. 439)

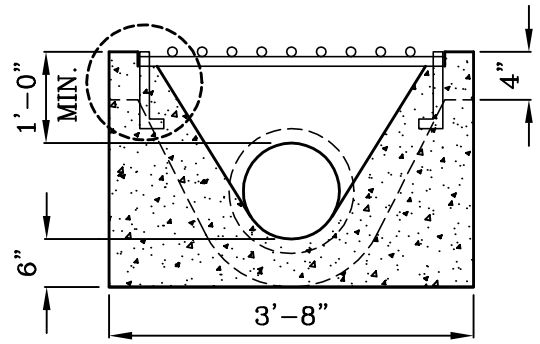
VARIES WITH SLOPE

CONCRETE HEADWALL

PIPE SIZE AND TYPE PER PLAN



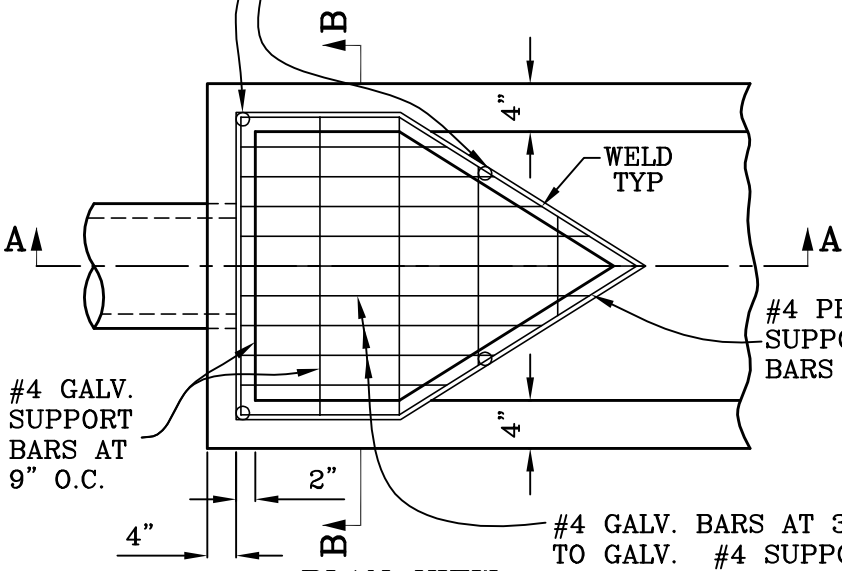
SECTION A-A



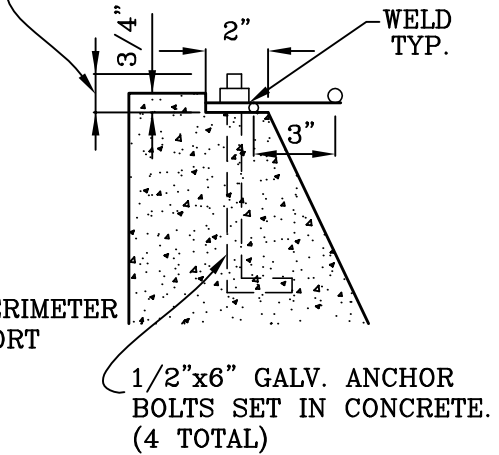
SECTION B-B

WELD WASHERS TO REMOVABLE GRATE (4 TOTAL)

EXPOSE 1-1/4" PORTION OF THREADED ANCHOR BOLT



PLAN VIEW



1/2"x6" GALV. ANCHOR BOLTS SET IN CONCRETE. (4 TOTAL)

NOTES:

1. GROUND SHALL BE PRE-WETTED TO THE SATISFACTION OF THE CITY ENGINEER PRIOR TO THE PLACEMENT OF CONCRETE.
2. MATERIAL FOR CONSTRUCTION OF DOWNDRAIN SHALL BE CONCRETE REINFORCED WITH 6" X 6"-W1.4 X W1.4 WELDED WIRE FABRIC.
3. DOWNDRAIN TO PIPE TRANSITION SHALL NOT BE USED WITHIN PUBLIC ROAD RIGHT-OF-WAY.
4. GRATE SHALL BE HOT DIP GALVANIZED AFTER FABRICATION.

CITY OF MISSION VIEJO

DOWN DRAIN TO PIPE TRANSITION

STANDARD PLAN NO.

436



*Robert Anderson*

9-23-03

APPROVED

RCE 30190

DATE

SHT 1 OF 1