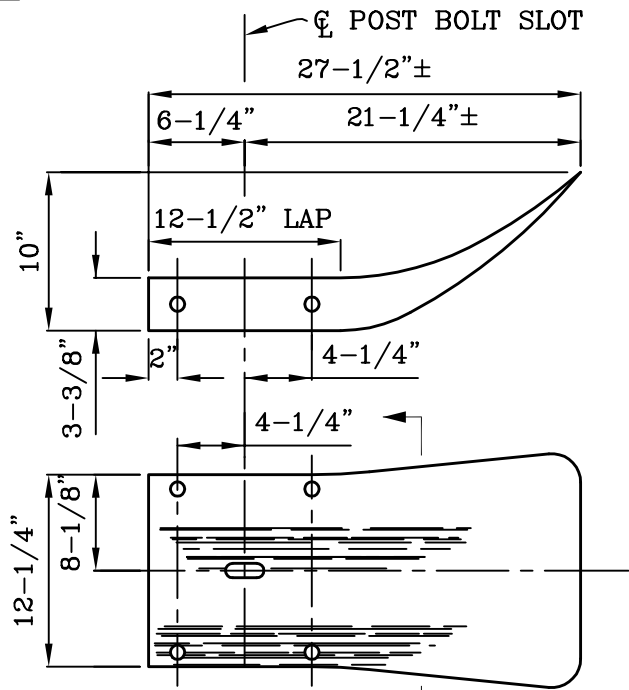


INSTALLATION

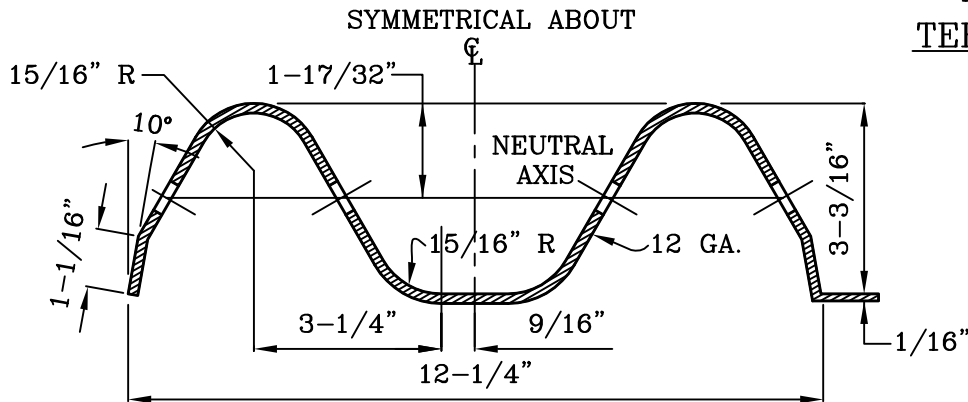
NOTES:

1. GUARD RAILING FLARES AT BRIDGE APPROACHES SHALL HAVE A MINIMUM RADIUS OF 150 FT.
2. ALL DIMENSIONS ARE SUBJECT TO MANUFACTURING TOLERANCES.



SAME AS SECTION THROUGH RAIL ELEMENT

TERMINAL SECTION



SECTION THROUGH RAIL ELEMENT

CITY OF MISSION VIEJO



METAL BEAM GUARD RAILING

STANDARD  
PLAN NO.

502

*Robert Anderson*

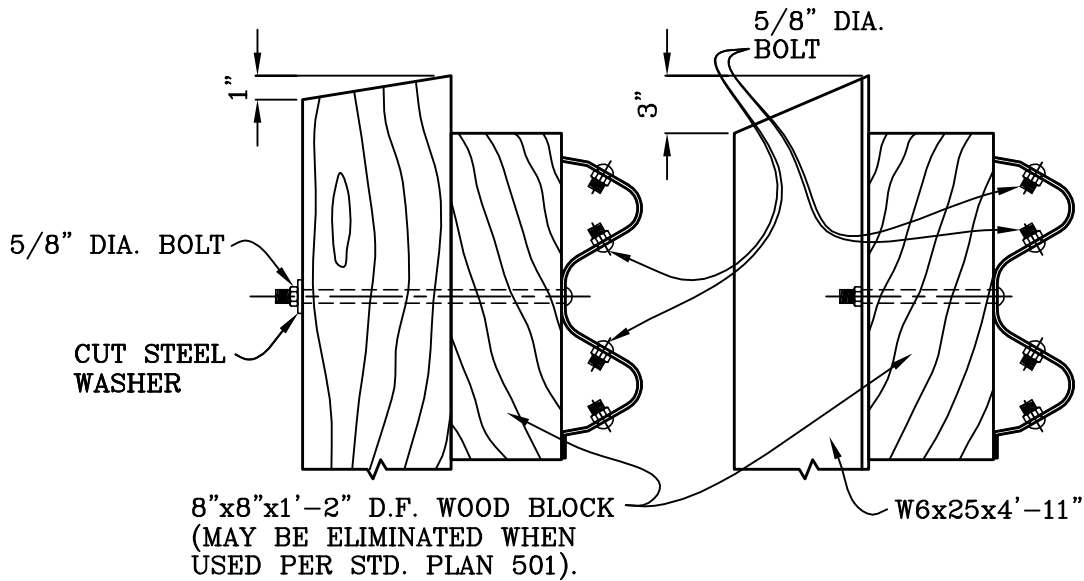
9-23-03

APPROVED

RCE 30190

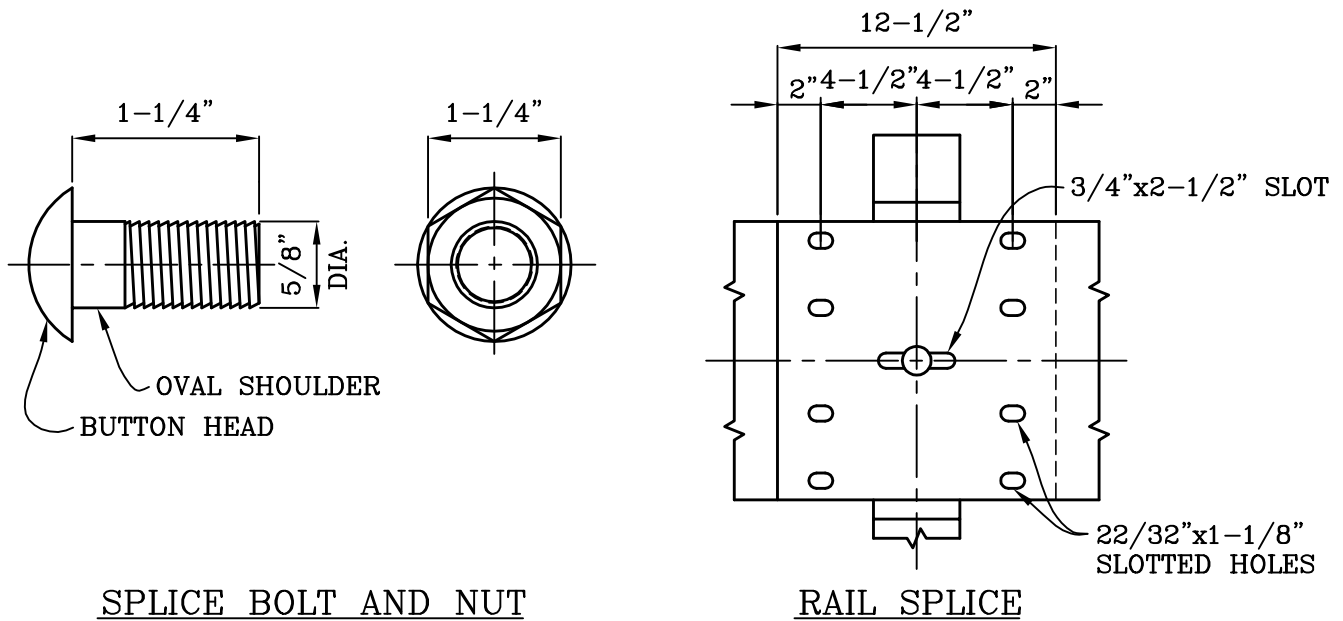
DATE

SHT 1 OF 2



NOTE: SET STEEL RAIL POST IN 9" DIA.  
HOLE & FILL WITH CONCRETE.

ARRANGEMENT OF BOLTS



CITY OF MISSION VIEJO

METAL BEAM GUARD RAILING

STANDARD  
PLAN NO.

502



*Robert Anderson*

9-23-03

APPROVED

RCE 30190

DATE

SHT 2 OF 2