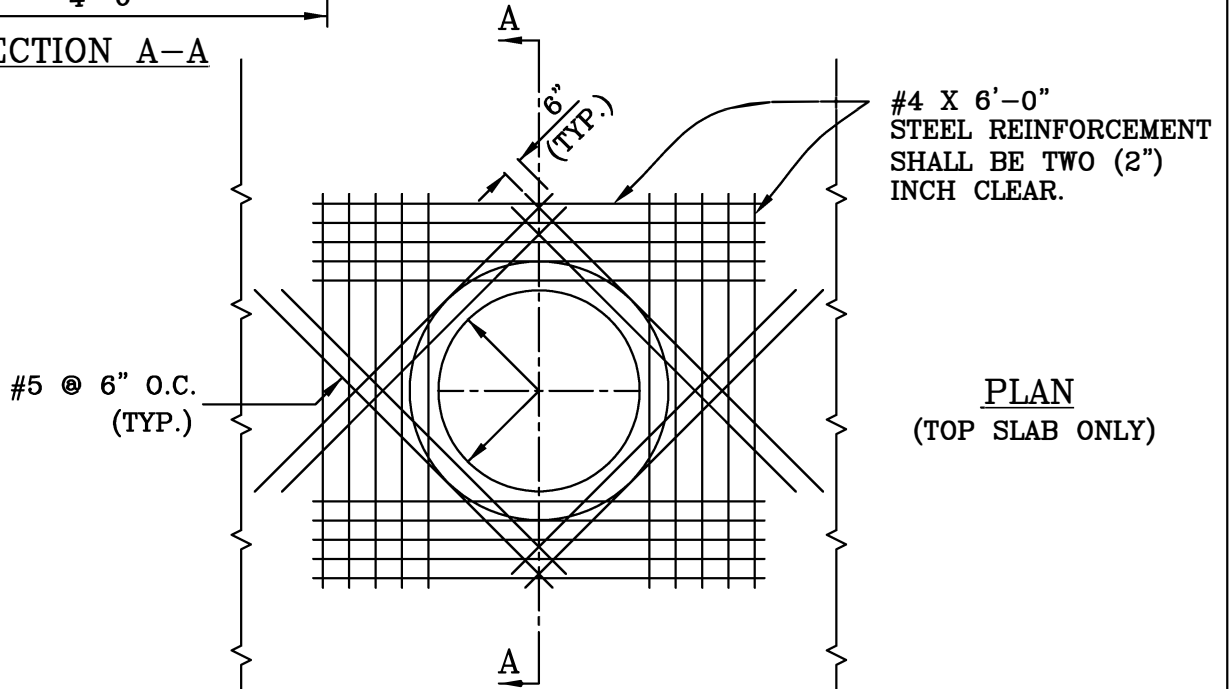


SECTION A-A



CITY OF MISSION VIEJO



TRASH BIN ENCLOSURE
SUMP DRAIN ALTERNATIVE

STANDARD
DETAIL NO.

510

Rich De...

08/17/12

APPROVED BY: CITY ENGINEER RCE 51160

DATE

SHT 1 OF 1